

The FG Wilson range of mobile generating sets reduce sound levels to comply with the new European Community regulations 2000/14/EC which became effective on 1 January 2002.

These roadworthy trailers meet all EC regulations and can be used without restriction throughout the EC. It may be required, however, that the trailers be registered in the country in which they are based, according to the registration requirements of that country, if any.

#### Standard Features

- ▶ Drawbar chassis running gear for the Perkins 400 powered range of mobile generating sets 10kVA to 22 kVA.
- ▶ Roadworthy trailers meeting all relevant EC standards for brakes and overrun devices and using TÜV approved components.
- ▶ Chassis built to TÜV approved design.
- ▶ Fixed height towbar and adjustable height towbar units available.

#### Optional Features

- ▶ Lockable vandal proof control panel cover in place of window.



## 10-22 kVA Mobile Generating Set Range



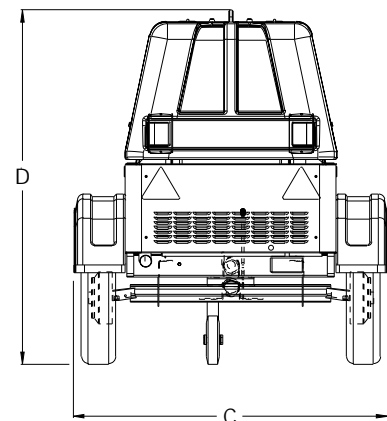
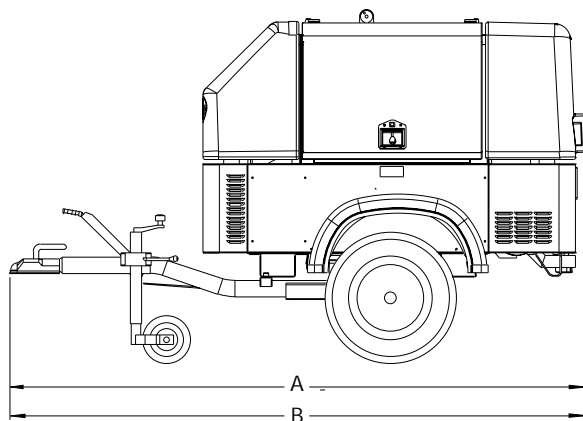
Modular  
Acoustic Enclosure



## Sound Pressure Levels (dba)

		50 Hz at 1500 RPM						60 Hz at 1800 RPM					
Generating Set Model	LWA	15 m (50 ft)		7 m (23 ft)		1 m (3 ft)		15 m (50 ft)		7 m (23 ft)		1 m (3 ft)	
		75% Load	100% Load	75% Load	100% Load	75% Load	100% Load	75% Load	100% Load	75% Load	100% Load	75% Load	100% Load
P12.5P2	92	61.3	62.3	67.3	68.3	77.4	78.4	62.0	62.0	68.0	68.0	79.0	79.0
P13.5E2	92	61.3	62.7	67.3	68.7	77.4	79.1	62.0	62.0	68.0	68.0	79.0	79.0
P16.5P2	91	59.1	60.4	65.1	66.4	76.2	77.1	61.4	62.0	67.4	68.0	77.4	78.4
P18E2	91	59.1	61.9	65.1	67.9	76.2	77.3	61.4	62.8	67.4	68.8	77.4	79.2
P20P2	91	60.1	61.8	66.1	67.8	76.7	78.6	61.4	62.8	67.4	68.8	77.4	79.2
P22E2	91	60.1	62.3	66.1	68.3	76.7	78.9	61.4	65.0	67.4	71.0	77.4	81.0
P10P2S	92	61.3	62.3	67.3	68.3	77.4	78.4	62.0	62.0	68.0	68.0	79.0	79.0
P11E2S	92	61.3	62.7	67.3	68.7	77.4	79.1	62.0	62.0	68.0	68.0	79.0	79.0
P13P2S	91	59.1	60.4	65.1	66.4	76.2	77.1	61.4	62.0	67.4	68.0	77.4	78.4
P14E2S	91	59.1	61.9	65.1	67.9	76.2	77.3	61.4	62.8	67.4	68.8	77.4	79.2
P15P2S	91	60.1	61.8	66.1	67.8	76.7	78.6	61.4	62.8	67.4	68.8	77.4	79.2
P16.5E2S	91	60.1	62.3	66.1	68.3	76.7	78.9	61.4	65.0	67.4	71.0	77.4	81.0

Levels in accordance with European Noise Directive (2000/14/EC)



## Dimensions and Weights

Generating Set Model	*Length mm (in)		Width (C) mm (in)	Height (D) mm (in)	Weight kg (lb) (incl. oil, fuel, water)	
	Fixed (A) Height Towbar	Adjustable (B) Height Towbar**			Fixed Height	Adjustable Height
P12.5P2/P13.5E2	2402 (94.6)	2746 (108)	1340 (52.8)	1644 (64.7)	777 (1713)	804 (1772)
P16.5P2/P18E2	2746 (108)	3339 (132)	1340 (52.8)	1644 (64.7)	838 (1848)	877 (1934)
P20P2/P22E2	2746 (108)	3339 (132)	1340 (52.8)	1644 (64.7)	851 (1876)	890 (1963)
P10P2S/P11E2S	2402 (94.6)	2746 (108)	1340 (52.8)	1644 (64.7)	777 (1713)	804 (1772)
P13P2S/P14E2S	2746 (108)	3339 (132)	1340 (52.8)	1644 (64.7)	838 (1848)	877 (1934)
P15P2S/P16.5E2S	2746 (108)	3339 (132)	1340 (52.8)	1644 (64.7)	851 (1876)	890 (1963)

\* Length dimensions +/- 20mm, depending on coupling used.

\*\* Length of adjustable height towbar is at maximum extension.



**FG Wilson (Engineering) Ltd**  
 Old Glenarm Road, Larne, County Antrim BT40 1EJ  
 Northern Ireland, United Kingdom  
 Tel: +44 (0) 28 2826 1000 Fax: +44 (0) 28 2826 1111  
[www.FGWilson.com](http://www.FGWilson.com)

