

The FG Wilson sound attenuated enclosures for the range of Perkins 1300 Series powered generating sets are a result of continuing research and development by our specialist acoustic engineers. **These enclosures reduce sound levels to comply with the new European Community regulations 2000/14/EC which became effective on 1 January 2002.**

The fully weatherproof enclosures incorporate internally mounted exhaust silencers and are of extremely rugged construction in order to withstand the rough handling common on many construction sites. They are designed on modular principles with many interchangeable components permitting on-site repair.

Robust/Highly Corrosion Resistant Construction

- ▶ Stainless steel locks and hinges
- ▶ Zinc plated or stainless steel fasteners
- ▶ Body made from steel components treated with polyester powder coating

Excellent Access for Maintenance

- ▶ Two large doors on each side
- ▶ Radiator fill access plate
- ▶ Lube oil and cooling water drains piped to exterior of the enclosure

Security and Safety

- ▶ Control panel viewing window in a lockable access door
- ▶ Emergency stop push button (red) mounted on enclosure exterior
- ▶ Cooling fan and battery charging alternator fully guarded
- ▶ Fuel fill and battery can only be reached via lockable access doors
- ▶ Exhaust silencing system totally enclosed for operator safety

Transportability

- ▶ Tested and certified single point lifting facility
- ▶ Lifting points on baseframe

Optional Features

- ▶ Oil field type skid with dragging points and fork lift truck pockets



160 - 275 kVA
Range



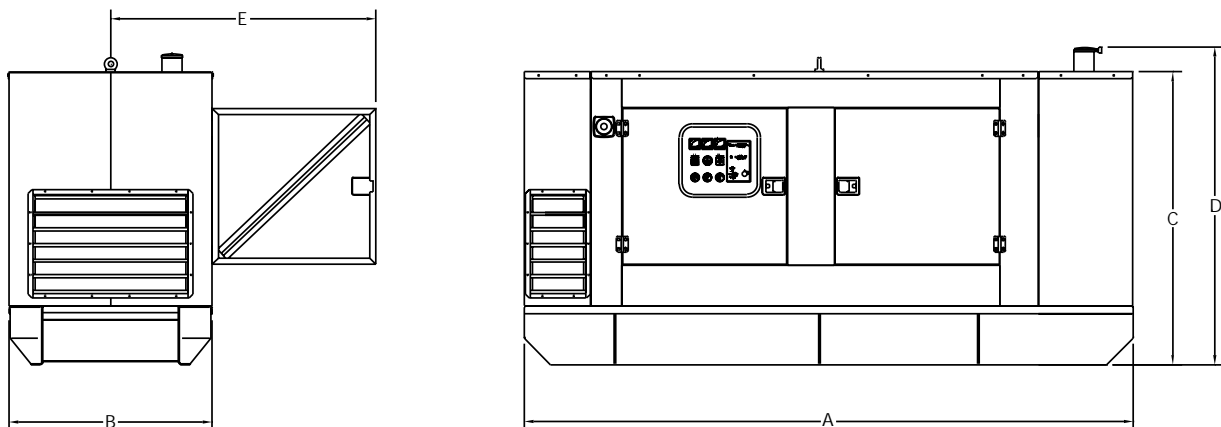
Modular
Acoustic Enclosure



Sound Pressure Levels (dBA)

Generating Set Model	LWA	50 Hz						60 Hz					
		15 m (50 ft)		7 m (23 ft)		1 m (3 ft)		15 m (50 ft)		7 m (23 ft)		1 m (3 ft)	
		75% Load	100% Load	75% Load	100% Load	75% Load	100% Load	75% Load	100% Load	75% Load	100% Load	75% Load	100% Load
P160H	n/a	n/a	n/a	n/a	n/a	n/a	n/a	67.0	68.0	73.0	73.0	83.0	83.0
P175HE	97	64.0	65.0	70.0	70.0	80.0	81.0	67.0	68.0	73.0	73.0	83.0	84.0
P188HE	n/a	n/a	n/a	n/a	n/a	n/a	n/a	68.0	69.0	73.0	74.0	83.0	83.0
P200H	98	65.0	66.0	70.0	71.0	80.0	80.0	68.0	69.0	73.0	74.0	83.0	83.0
P220HE	98	65.0	66.0	70.0	71.0	80.0	80.0	68.0	69.0	73.0	74.0	83.0	83.0
P230H	98	65.0	66.0	70.0	71.0	80.0	80.0	68.0	69.0	73.0	74.0	83.0	83.0
P250HE	98	65.0	66.0	70.0	72.0	80.0	81.0	68.0	69.0	73.0	75.0	83.0	84.0
P250H	98	65.0	66.0	70.0	70.0	80.0	80.0	n/a	n/a	n/a	n/a	n/a	n/a
P275HE	98	65.0	66.0	70.0	71.0	80.0	81.0	n/a	n/a	n/a	n/a	n/a	n/a

Levels in accordance with European Noise Directive (2000/14/EC)



Dimensions and Weights

Generating Set Model	A: mm (in)	B: mm (in)	C: mm (in)	D: mm (in)	*E: mm (in)	Weight: kgs (lb)	Fuel Capacity L (US Gal)
P160H/P175HE	3384 (153.3)	1300 (51.2)	1875 (73.8)	1996 (78.6)	1600 (63.0)	2797 (6166)	550 (145)
P188HE	3384 (153.3)	1300 (51.2)	1875 (73.8)	1996 (78.6)	1600 (63.0)	2869 (6325)	550 (145)
P200H/P220HE	3384 (153.3)	1300 (51.2)	1875 (73.8)	1996 (78.6)	1600 (63.0)	2944 (6490)	550 (145)
P230H/P250HE	3384 (153.3)	1300 (51.2)	1875 (73.8)	1996 (78.6)	1600 (63.0)	3029 (6678)	550 (145)
P250H/P275HE	3384 (153.3)	1300 (51.2)	1875 (73.8)	1996 (78.6)	1600 (63.0)	3094 (6821)	550 (145)

* Clearance required both sides; Weight with lube oil, no coolant, no fuel.



FG Wilson (Engineering) Ltd
 Old Glenarm Road, Larne, County Antrim BT40 1EJ
 Northern Ireland, United Kingdom
 Tel: +44 (0) 28 2826 1000 Fax: +44 (0) 28 2826 1111
www.FGWilson.com

